

Areas of Specific Concern in the NIST WTC Reports

Below is a series of twenty-five provable points which clearly demonstrate that the reports produced by the National Institute of Standards and Technology (NIST) on the destruction of the World Trade Center (WTC) were unscientific and fraudulent. Therefore NIST itself – including its lead authors, Shyam Sunder and John Gross - should be investigated.

Table of Contents

WTC 7 – THE THIRD SKYSCRAPER	2
1. OMISSION OF GIRDER STIFFENERS SHOWN ON FRANKEL DRAWING #9114	2
2. OMISSION OF THREE LATERAL SUPPORT BEAMS ON THE 13 TH FLOOR G3005 BEAM	2
3. WTC 7 COLLAPSE AT FREE-FALL ACCELERATION IS NOT EXPLAINED.....	3
4. VIDEOS OF THE COLLAPSE OF WTC 7 BETRAY NIST’S COMPUTER MODEL.....	3
5. CLAIMS OF INVESTIGATING CONTROLLED DEMOLITION WITHOUT TESTING FOR EXPLOSIVE RESIDUES....	4
6. CHANGES OF STATEMENTS ON COMPOSITE BEAMS AND SHEAR STUD USE BETWEEN DRAFTS	5
7. REFUSING OF FOIA REQUESTS	6
ALL THREE BUILDINGS	6
8. NEGLIGENCE IN SALVAGING STEEL	6
9. IGNORING THE RESULTS OF FEMA 403, APPENDIX C	6
10. INVOLVEMENT IN NOT SAVING STEEL FOR INVESTIGATION	7
11. FIRE SIMULATIONS AND DURATIONS ARE EXAGGERATED.....	8
12. NO DISCUSSION OF THE MOLTEN METAL FOUND IN THE RUBBLE OF THE THREE COLLAPSED BUILDINGS.	8
13. REFUSAL TO TEST FOR EXPLOSIVE RESIDUE.....	9
14. FAILURE TO FOLLOW STANDARD FIRE INVESTIGATION PROTOCOL	10
THE TWIN TOWERS.....	10
15. STRIPPING OF THE FIRE PROOFING IS EXAGGERATED.....	10
16. PRE-COLLAPSE STEEL TEMPERATURES ARE EXAGGERATED	11
17. TESTED FLOOR ASSEMBLIES DID NOT FAIL	11
18. INITIATION OF COLLAPSE – “INWARD BOWING” WAS INDUCED ARTIFICIALLY.....	12
19. COLUMN STRESS DUE TO LOAD REDISTRIBUTION IS NOT SUFFICIENT TO CAUSE FAILURE	12
20. NO EXPLANATION GIVEN FOR HORIZONTAL PROPAGATION OF COLLAPSE	12
21. WTC 1 TILT OCCURRED AFTER SYMMETRICAL COLLAPSE FOR AT LEAST TWO STORIES.....	13
22. NO JOLT – CONTINUOUS ACCELERATION OF COLLAPSE WAS IGNORED.....	14
23. NO PILE DRIVER IS OBSERVED IN VIDEOS	16
24. COLUMN LOADS WERE CALCULATED FOR WORST CASE, NOT ACTUAL IN-SERVICE LOADS.....	16
25. MOLTEN METAL OBSERVED POURING OUT OF THE CORNER OF WTC 2 REMAINS UNRESOLVED.....	16

WTC 7 – THE THIRD SKYSCRAPER

1. OMISSION OF GIRDER STIFFENERS SHOWN ON FRANKEL DRAWING #9114

Technical Statement: NIST maintains that WTC 7 collapsed due to fire acting upon the 13th floor A2001 girder between columns 79 and 44 and the beams framing into it from the east. They said that the beams expanded by 5.5” (revised in June 2012 to 6.25”), broke the girder erection bolts, and pushed this girder off its column 79 seat. This girder fell to floor 12, which then precipitated a cascade of floor failures from floor 12 down to floor 5, and column 79 then became unsupported laterally, causing it to buckle. It is then said that column 79's buckling caused the upper floors to cascade down, which started a chain reaction — a north-to-south then east-to-west horizontal, progressive collapse — with a global exterior collapse that was captured on the videos.

The first omission concerns flange-to-web stiffeners on the south end of the girder (A2001). See drawing 9114. These omitted stiffeners would prevent the girder flange from folding when the girder web moved beyond the seat, requiring twice the possible expansion of the beams framing into the girder from the east to move the girder far enough to the west for it to fall off its seat.

References:

- Frankel Shop Drawing #9114 <https://www.dropbox.com/s/r009pjr3qhduyvg/9114.TIF?dl=0>
 - Girder_A2001_Stiffeners_Plan_HL
https://www.dropbox.com/s/jnt2f9i2vnm0wa3/Girder_A2001_Stiffeners_Plan.jpg?dl=0
 - Girder_A2001_Stiffeners_Elevation_HL
https://www.dropbox.com/s/uy7cehcn2saorh1/Girder_A2001_%20Stiffeners_Elevation.jpg?dl=0

2. OMISSION OF THREE LATERAL SUPPORT BEAMS ON THE 13TH FLOOR G3005 BEAM

Technical Statement: NIST omitted three lateral support beams from the exterior frame to the north-most beam (G3005) framing into the A2001 girder between columns 44 and 79 from the east. The NIST WTC 7 report contains a second possible failure initiation mechanism, where G3005 buckles and causes the other four beams framing into the girder from the east (A3004, B3004, C3004, and K3004) to also buckle, lose their load-carrying capability, collapse downward, and rock (pull) the girder off its seats back to the east. When these lateral support beams are excluded in the NIST analysis, the beam slenderness is increased by 16 times, and this reduces the actual buckling load to 6% of what it would have been in reality. Analysis with the lateral support beams included shows that the beam would not buckle and that it would actually deflect the girder and put the other four beams in tension, eliminating any chance of them buckling, as beams and columns need to be in compression in order to buckle.

References:

- Frankel Shop Drawing #3005 <https://www.dropbox.com/s/goikgin4l8x0yub/3005.TIF?dl=0>
- Frankel Shop Drawing #3007 <https://www.dropbox.com/s/f9n62mr3c1mdvqs/3007.TIF?dl=0>

- Frankel Shop Drawing #9150 <https://www.dropbox.com/s/2fne2vd75p0yicy/9150.TIF?dl=0>
- Frankel Erection Drawing #E12/13
https://www.dropbox.com/s/0rw4w6hc1ih8g2t/Erection_Drawing_1213.jpg?dl=0

3. WTC 7 COLLAPSE AT FREE-FALL ACCELERATION IS NOT EXPLAINED

Technical Statement: After initially denying it, NIST was ultimately forced into a public acknowledgement in their final report on WTC 7 that the building fell at full free-fall acceleration for 2.25 seconds, during which time it traversed the vertical distance of eight stories, or just over 100 feet. However, there is no attempt in the report to confront the implications that there could not have been any structural resistance during this eight-story fall at gravitational acceleration. Since every other skyscraper in history that has fallen in the manner in which WTC 7 did was an explosive controlled demolition, and since there is abundant eyewitness testimony of explosions and molten iron as well as chemical evidence of incendiaries found in the debris pile, one would expect NIST to at least consider the possibility of explosive or incendiary use and test for them, according to the National Fire Protection Association investigation standard NFPA 921: Guide for Fire and Explosion Investigations, which is strictly followed by the FDNY. Incredibly, NIST continues to refuse to test the remaining debris for explosives or incendiaries.

References:

- NCSTAR 1-9, Chapter 12
- NIST FAQ on WTC 7, updated 6/27/2012 http://www.nist.gov/el/disasterstudies/wtc/faqs_wtc7.cfm
- Physicist David Chandler’s analysis of the descent of WTC 7 in three parts
<https://www.youtube.com/watch?v=Rkp-4sm5Ypc>
<https://www.youtube.com/watch?v=iXTlaqXsm4k>
<https://www.youtube.com/watch?v=v3mudruFzNw>
- NFPA 921: Guide for Fire and Explosion Investigations
- Pertinent short clip from the documentary film, *9/11: Explosive Evidence—Experts Speak Out*
<https://www.youtube.com/watch?v=SBmyPW6gGGI>

4. VIDEOS OF THE COLLAPSE OF WTC 7 BETRAY NIST’S COMPUTER MODEL

Technical Statement: The exterior of the NIST WTC 7 computer model shows large deformations, as would be expected in a natural collapse, but which are not observed in the video of the actual event. There is no attempt in the report to explain this discrepancy.

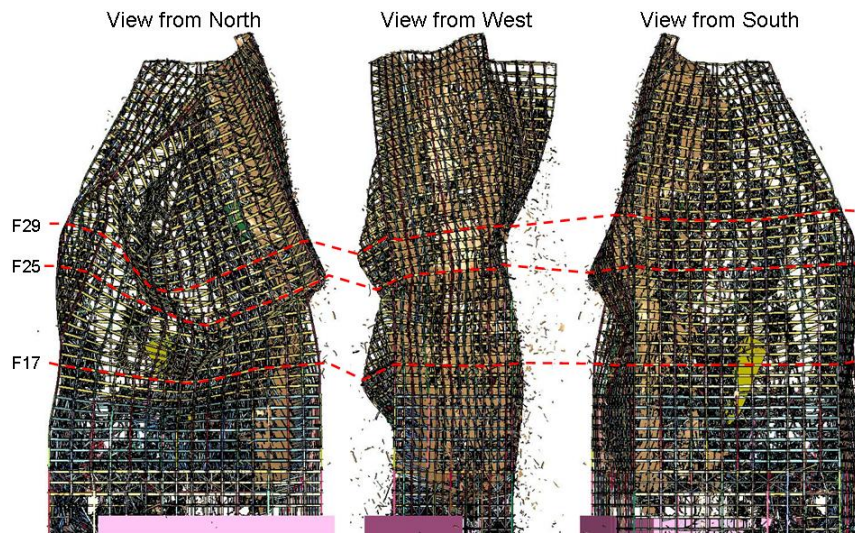
In footage of the actual collapse, the west penthouse and screen wall of WTC 7, which together span nearly half the length of the roof, start to fall one-half of a second prior to the full exterior collapse, yet the NIST report claims that the entire interior failed and completely collapsed prior to the exterior shell collapsing. Since there was little-to-no visible deformation of the exterior in the actual collapse and since the west penthouse and screen wall collapse timing indicates near-simultaneous interior and exterior failure, it seems clear that the severe deformation of the building’s exterior in the NIST model shows that their model does not replicate the actual collapse situation at all. The west penthouse and screen

wall drop starting just prior to that of the exterior is also indicative of controlled demolition, where the interior columns are severed just a fraction of a second prior to the exterior, in order to create an inward pull on the exterior and keep the debris contained within the building's footprint.

References:

- Videos from September 11, 2001, showing the collapse of WTC 7
<http://www.youtube.com/watch?v=LD06Saf0p9A>
<http://www.youtube.com/watch?v=AsJQKpnkZ10>
- NCSTAR 1-9
- Pertinent short clip from the documentary film, *9/11: Explosive Evidence—Experts Speak Out*
<https://www.youtube.com/watch?v=4PEumpBtuy8>

NIST WTC 7 exterior model results



5. CLAIMS OF INVESTIGATING CONTROLLED DEMOLITION WITHOUT TESTING FOR EXPLOSIVE RESIDUES

Technical Statement: In their WTC 7 FAQ, NIST claims to have investigated whether the building could have been brought down by controlled demolition and concluded that it was not. NIST says this even while admitting that they did not test for explosive residues in the rubble, after initially claiming that they “found no evidence of explosives or explosive residues” (while also making the simultaneous claim that no steel was saved from WTC 7 for analysis). Their conclusion is simply based on their claims that there were no sound levels measured which they feel would be indicative of the size of an explosion needed to destroy column 79 and that rigging the building in an undetected way would be difficult.

Belying the NIST argument that it would be difficult to rig WTC 7 without being detected, there was a secret retrofit of the Citibank Tower in New York City in 1978, due to an engineering error that could have allowed the building to topple in 70 mph winds. In that

case, after the problem was realized, secrecy was maintained to keep building occupants and nearby residents from panicking, though there was very little actual risk of danger. An evacuation plan for the building and surrounding area was drawn up, with the intent to implement it if high winds were imminent.

References:

- NIST FAQ on WTC 7, updated 6/27/2012 http://www.nist.gov/el/disasterstudies/wtc/faqs_wtc7.cfm
- The Secret Retrofit of the Citibank Tower in 1978 http://sciencehack.com/videos/view/O_ekNosnieQ
- Pertinent short clips from the documentary film, *9/11: Explosive Evidence—Experts Speak Out*
 - <https://www.youtube.com/watch?v=u6X6ZbZ4H8w>
 - <https://www.youtube.com/watch?v=fTgIkuffB0E>
 - <https://www.youtube.com/watch?v=Ri9ywmzewRQ>

6. CHANGES OF STATEMENTS ON COMPOSITE BEAMS AND SHEAR STUD USE BETWEEN DRAFTS

Technical Statement: NIST's draft WTC 7 report said, "Most of the beams and girders were made composite with the slabs through the use of shear studs. Typically, the shear studs were 0.75 inches in diameter by 5 inches long, spaced 1 to 2 feet on center." However, in the final WTC 7 report, NIST says shear studs were *not* used on the girders. The significance here is that they claim the 13th floor A2001 girder was pushed off its seat at column 79 by thermally expanded beams from the east side of the building. If shear studs had been used on the girder, it would have been impossible for the beams to push the girder off its seat with the column. No drawings are shown in the final report to substantiate this new claim.

The contention is made that the shear studs on the beams are broken due to differential expansion of the steel and concrete, allowing the beams to freely expand and force the now non-shear-studded girder off its seat at column 79, causing floors 13 to 5 surrounding column 79 to collapse, leaving the column without sufficient lateral support and causing it to become unstable and to buckle. However, in some sections of their WTC 7 report, NIST does not heat the concrete, only the steel. Concrete has nearly the same Coefficient of Thermal Expansion (CTE) as steel and would expand and contract at almost the same rate when heated or cooled. There is no analysis or attempt to justify the position that the steel would have heated up to a greater degree than the concrete and produced a differential expansion. No physical testing was done to investigate the actual behavior of the materials involved; only computer modeling was performed, and in some cases without heating the concrete.

References:

- See attached copy of NIST NCSTAR 1-1 (Draft), p. 14
<http://web.archive.org/web/20051219234553/wtc.nist.gov/pubs/NISTNCSTAR1-1.pdf>
- NCSTAR 1-1A, pp. 49, 50
- NCSTAR 1-9 Vol. 1, pp. 15, 341-360
- NCSTAR 1-9 Vol. 2, pp. 529, 534, 535, 546, 561, 603, 615

7. REFUSING OF FOIA REQUESTS

Technical Statement: A registered structural engineer's Freedom of Information Act (FOIA) request to NIST for calculations and analysis substantiating the walk-off failures of horizontal members from their seats, at columns 79 and 81, was denied in January 2010 by the director of NIST, who claimed that releasing this data “might jeopardize public safety.” On the contrary, if it were a peculiar situation that NIST had discovered, it would be the refusal to release this information to the architects and engineers who are tasked with the public’s safety that would be jeopardizing that very safety.

References:

- The NIST letter refusing to release calculations and analysis substantiating the walk-off failures at columns 79 and 81 is available at <http://cryptome.org/wtc-nist-wtc7-no.pdf>
- Pertinent short clip from the documentary film, *9/11: Explosive Evidence—Experts Speak Out* <https://www.youtube.com/watch?v=u6X6ZbZ4H8w>

ALL THREE BUILDINGS

8. NEGLIGENCE IN SALVAGING STEEL

Technical Statement: At one point, NIST admitted that only 0.25% to 0.50 % of the steel from the Twin Towers was saved for analysis. Later, NIST claimed that none of the steel from WTC 7 was saved for analysis. At another time, NIST mentioned that Dr. John Gross was in the salvage yards and was involved in the selection of pieces of steel to save.

The NIST WTC Tower and WTC 7 reports do not explain why so little steel was saved and, incredibly, in the case of the Twin Towers, was dismissive when forced to admit that the steel saved from the buildings did not show that it had experienced high temperatures, by contending that “the sample size was not sufficient to be representative.” Why didn’t Dr. Gross save a sufficient sample size? The space required to store the steel would have been insignificant relative to the massive and historic issues to be resolved.

References:

- At 5:00 minutes into this video, Dr. John Gross says he was on the WTC site and in the steel yards early on http://www.youtube.com/watch?v=3SLizSct_cg
- NCSTAR 1-3, p. 27
- NCSTAR 1-3, Paragraph 6.6.2, p. 95
- Pertinent short clip from the documentary film, *9/11: Explosive Evidence—Experts Speak Out* <https://www.youtube.com/watch?v=xPsVVdV6Dg0>

9. IGNORING THE RESULTS OF FEMA 403, APPENDIX C

Technical Statement: NIST did not take the FEMA documentation of melted steel and sulfidation in its Appendix C forensic analysis as being indicative of something that could

have contributed to the collapses. Instead, NIST claims, without a basis, that the damage was caused in the rubble pile, although the extreme temperatures required to melt steel and the presence of sulfidation have no logical mechanism there.

In February 2012 an FOIA request produced three photos, taken during October 2001, showing Dr. John Gross of NIST posing with a heavily eroded WTC 7 beam. These photos contradict Dr. Gross' statements about not witnessing steel that had been subjected to high temperatures. In fact, Dr. Gross was on the team headed by Dr. Jonathan Barnett, who was responsible for discovering, during the FEMA investigation, the WTC 7 beam featured in the Appendix C forensic analysis, which was melted and sulfidated. This is one of the steel beams the ends of which Barnett had previously described as "partially evaporated." Such evaporation required temperatures exceeding 4,000° F.

References:

- FEMA World Trade Center Building Performance Study Appendix C
http://www.fema.gov/pdf/library/fema403_apc.pdf
- Pertinent short clip from the documentary film, *9/11: Explosive Evidence—Experts Speak Out*
https://www.youtube.com/watch?v=9oVs_94VHk8
- Photo below of NIST WTC 7 report leader John Gross in steel yards with melted and eroded steel



10. INVOLVEMENT IN NOT SAVING STEEL FOR INVESTIGATION

Technical Statement: In their initial draft report on the three building collapses, NIST claims that none of the steel from WTC 7 was saved for analysis. This is disconcerting, considering WTC 7 would have been the first steel-framed high-rise in history to ostensibly completely collapse due to fire.

Alarming, in their final report on WTC 7 in November 2008, NIST makes no mention of the fact that no steel was saved from WTC 7 for analysis.

This is confusing, as we now know that Dr. John Gross was involved as early as October 2001 in selecting pieces of steel to save for the NIST investigations into the failures of all three buildings.

References:

- NIST NCSTAR 1-3D (Draft), pp. 271, 273
<http://web.archive.org/web/20060221020101/wtc.nist.gov/pubs/NISTNCSTAR1-3DDraft.pdf>
- Pertinent short clip from the documentary film, *9/11: Explosive Evidence—Experts Speak Out*
<https://www.youtube.com/watch?v=xPsVVdV6Dg0>

11. FIRE SIMULATIONS AND DURATIONS ARE EXAGGERATED

Technical Statement: The fire severity and durations shown in the NIST reports do not match the observations in the videos of all three skyscrapers. They are highly exaggerated. The actual fires, particularly in WTC 2, are nearly exhausted, with thick black smoke indicating cooler fires. The WTC 7 fires are few, small, and scattered. On floor 12, the location of the fires that NIST claims to have caused the initiation of collapse due to thermal expansion are shown to be burned out more than one hour prior to the building's fall. Thus they could not have been responsible for WTC 7's destruction, as the expanding beams would have cooled and contracted by then.

References:

- NCSTAR 1-5, 1-5A, 1-5B, 1-5C, 1-5E, 1-5G
- E. Douglas, "The NIST WTC Investigation--How Real Was The Simulation?" *Journal of 9/11 Studies*, Vol. 6, pp. 1-27, December 2006
<http://www.journalof911studies.com/volume/200612/NIST-WTC-Investigation.pdf>
- http://www.ae911truth.org/downloads/WTC_fire_sim_comparison_080912c.pdf
- Pertinent short clip from the documentary film, *9/11: Explosive Evidence—Experts Speak Out*
<https://www.youtube.com/watch?v=Q5pydj9aSU>

12. NO DISCUSSION OF THE MOLTEN METAL FOUND IN THE RUBBLE OF THE THREE COLLAPSED BUILDINGS

Technical Statement: Dr. John Gross has denied that there is evidence of molten iron/steel in the rubble of the three collapsed buildings, despite numerous eyewitnesses testifying to this and despite the physical evidence of what have come to be called "meteorites," which are made up of solidified slag from pools of molten iron and steel that were "flowing like lava," according to firefighters. Again, the significance here is that the temperatures which can be achieved by diffuse flame hydrocarbon or office fires range from 600° to a maximum of 1,800° F, which is well below the 2,750° F initial melting temperature of steel and iron.

References:

- Video with John Gross claiming he knows of no one who saw molten metal in the rubble of the three collapsed buildings http://www.youtube.com/watch?v=3SLlzSct_cg and http://www.youtube.com/watch?v=fs_ogSbQFbM
- Pertinent short clips from the documentary film, *9/11: Explosive Evidence—Experts Speak Out*
 - https://www.youtube.com/watch?v=9oVs_94VHk8
 - <https://www.youtube.com/watch?v=Ri9ywmzewRQ>

13. REFUSAL TO TEST FOR EXPLOSIVE RESIDUE

Technical Statement: NIST has admitted that they did not test for explosives, and their director of public relations is on record saying, “If you are going to test for something that is not there, you are wasting your time and the taxpayers’ money.” In the oral histories taken down in late 2001 and early 2002 from New York City emergency personnel, there are over 100 individuals who make comments about seeing, hearing, and experiencing explosions.

These oral histories were documented well before NIST started their WTC investigation in September 2002. This testimony should have caused the presumption that there was a good chance explosive residue would be found — and justified testing for it rather than the opposite. On what basis would NIST have presumed that there was little chance of explosive residue to be found and that it would be a waste of time and money?

NIST acknowledges in their response to a Request for Correction submitted by AE911Truth that they are “unable to provide a full explanation of the total collapse.” And yet NIST refused to consider the possibility that explosives could have been used to cause the collapses of the Twin Towers — though controlled demolition is consistent with all of the available technical evidence.

References:

- J. Abel, “Theories of 9/11,” *Hartford Advocate*, Hartford, Connecticut, January 29, 2008 <http://web.archive.org/web/20080430203236/http://www.hartfordadvocate.com/article.cfm?aid=5546>
- The September 11 records via *The New York Times* http://graphics8.nytimes.com/packages/html/nyregion/20050812_WTC_GRAPHIC/met_WTC_histories_full_01.html
- G. MacQueen, “118 Witnesses: The Firefighters’ Testimony to Explosions in the Twin Towers,” *Journal of 9/11 Studies*, Vol. 2, pp. 1-60, August 2006 http://www.journalof911studies.com/articles/Article_5_118Witnesses_WorldTradeCenter.pdf
- Request for Correction of the NIST WTC report http://stj911.org/actions/NIST_DQA_Petition.pdf
- NIST’s answer to the above Request for Correction <http://www.journalof911studies.com/volume/2007/NISTresponseToRequestForCorrectionGourleyEtal2.pdf>
- NIST August 2006 FAQ http://www.nist.gov/public_affairs/factsheet/wtc_fags_082006.cfm
- Dr. David Ray Griffin’s essay, “The Destruction of the World Trade Center: Why the Official Account Cannot Be True” <http://911review.com/articles/griffin/nyc1.html>
- Pertinent short clips from the documentary film, *9/11: Explosive Evidence—Experts Speak Out*
 - <https://www.youtube.com/watch?v=u6X6ZbZ4H8w>
 - <https://www.youtube.com/watch?v=fTgIkuffBOE>

14. FAILURE TO FOLLOW STANDARD FIRE INVESTIGATION PROTOCOL

Technical Statement: NIST and FEMA did not follow standard procedure for fire and explosion investigations. This is covered in the National Fire Protection Association’s investigation standard NFPA 921, Guide for Fire and Explosion Investigations, where it is clearly stated that looking for explosive residues and accelerants is the standard procedure for fire and explosion investigations. NFPA 921 also states that if they are not tested for one should be prepared to explain why they weren’t.

NIST is often responsible for generating information from which the NFPA standards are written. Why would the NFPA standard not be followed in this case? NIST has not answered this question publicly.

References:

- National Fire Protection Association, “Guide for Fire and Explosion Investigations,” NFPA 921
- Pertinent short clips from the documentary film, *9/11: Explosive Evidence--Experts Speak Out*
 - <https://www.youtube.com/watch?v=u6X6ZbZ4H8w>
 - <https://www.youtube.com/watch?v=Q5pydic9aSU>

THE TWIN TOWERS

15. STRIPPING OF THE FIRE PROOFING IS EXAGGERATED

Technical Statement: NIST claims that the aircraft impact debris in WTC 1 stripped the fireproofing materials from the floor truss assemblies — even on the opposite side of the building from the impact — to the point where the floor assembly steel was then vulnerable to fire. NIST attempted to validate this hypothesis with ballistic firing equipment, firing buckshot and shrapnel at steel plates and bars coated with SFRM (Sprayed on Fire Resistant Material). During the testing, the gun was fired at velocities of approximately 500 ft/s and produced damage to the SFRM, but at one point it misfired and produced a projectile velocity of just 102 ft/s (31 m/s), which resulted in no damage to the SFRM.

WTC 1 was impacted on the north side of the building. NIST claims that the fireproofing was stripped from the trusses on the south side, causing them to sag and pull the south face of the building inward, initiating the collapse. However, NIST’s own analysis of the aircraft’s deceleration, 0.40 seconds after impacting WTC 1 on the north face, shows the debris field moving at approximately 51 ft/s (15 m/s) as it enters the floor assembly area on the south side of the building. How can NIST justify the aircraft debris damaging the SFRM on the floor assembly steel on the south side of the building when their own testing and analyses seem to rule it out?

References:

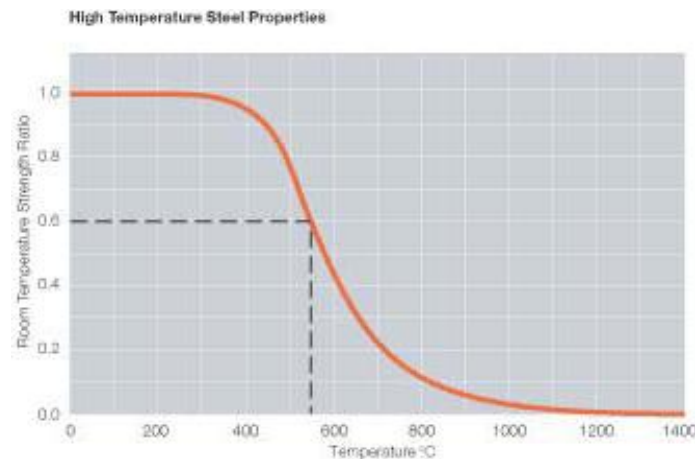
- NCSTAR 1-6A, Appendix C, pp. 263 to 274
- NCSTAR 1-2, pp. 171 to 180

16. PRE-COLLAPSE STEEL TEMPERATURES ARE EXAGGERATED

Technical Statement: NIST’s own physical testing for actual steel temperatures on the 236 pieces they selected from the Twin Towers in the areas closest to the hottest fires showed that only three pieces had experienced temperatures above 250° C — a temperature where steel has not yet lost any strength. Of those three, none had experienced temperatures beyond 600° C, the point at which structural steel loses about half its strength. Note this critical zone in the graph below. NIST’s own physical evidence shows that the vast majority of the steel had not experienced temperatures where it lost any strength, though in the report NIST claims a large number of steel structural members would have been heated to temperatures of 700° C.

References:

- NCSTAR 1-3C Chapter 6
- NCSTAR 1-3 paragraph 6.6.2, p. 95
- NCSTAR 1-5B Chapter 11
- NCSTAR 1-5G
- *Pertinent short clip from the documentary film, 9/11: Explosive Evidence—Experts Speak Out* <https://www.youtube.com/watch?v=c18kPAtkJh0>
- Below, chart from Corus Construction showing steel strength at increased temperature compared to room temperature strength



17. TESTED FLOOR ASSEMBLIES DID NOT FAIL

Technical Statement: NIST hired Underwriter Laboratories to perform testing of the Twin Tower floor assemblies per ASTM E119 in a two-hour, 2,000° F fire test. During the tests, the main trusses did not fail — and sagged only 4” after 60 minutes and 6” after 100 minutes, which were the approximate durations of the fires in WTC 2 and WTC 1, respectively. NIST was clearly not using these test results as their basis when they showed the main trusses sagging more than 40” in their models.

References:

- NCSTAR 1-6B, Chapters 4 and 5

- NCSTAR 1-6C
- Anonymous and F. Legge, “Falsifiability and the NIST WTC Report: A Study in Theoretical Adequacy,” *Journal of 9/11 Studies*, Vol. 29, pp. 1-20, March 2010
<http://www.journalof911studies.com/volume/2010/Falsifiability.pdf>

18. INITIATION OF COLLAPSE – “INWARD BOWING” WAS INDUCED ARTIFICIALLY

Technical Statement: The NIST report claims that the collapse of WTC 1 was initiated by the south exterior wall buckling. The report claims that this was due to “inward bowing” and buckling of the exterior columns — alleged to be caused by sagging of the floor trusses. However, the NIST computer model did not show this to occur with natural inputs and sagging floor trusses. To actually cause the perimeter column failure, an artificial lateral load of 5,000 lbs. had to be applied to each perimeter column from the outside of the building. In reality, there was of course no such force available.

NIST claims, in a circular argument, that this artificial lateral load was applied to the exterior columns in an attempt to match the observed inward bowing, even though their model could not produce it naturally with their theory of sagging trusses causing it. It is much more likely that the core columns, which would have been falling after their failure was caused by explosives or incendiaries, would have pulled on the trusses with great force, generating the observed inward bowing of the exterior columns to which the opposite end of the trusses were attached.

References:

- NCSTAR 1-6D, pp. 180, 181, Chapter 5, and Appendix A

19. COLUMN STRESS DUE TO LOAD REDISTRIBUTION IS NOT SUFFICIENT TO CAUSE FAILURE

Technical Statement: The analysis in the NIST WTC report for the columns of the east and west perimeter walls of WTC 1 shows that after a south wall failure, the additional loads on these columns increase their total stress to only about 30% of their yield strength. This amount of stress cannot cause failure. Although this is not stated specifically, it can be deduced, because NIST provides their “in-service load” and the additional load carried due to “redistribution.” In spite of this, NIST simply makes the claim that once the south wall buckled, the instability somehow “spread across the rest of the building.”

References:

- NCSTAR 1-6, pp. 301, 304
- NCSTAR 1-6D, Chapters 4 and 5

20. NO EXPLANATION GIVEN FOR HORIZONTAL PROPAGATION OF COLLAPSE

Technical Statement: The NIST WTC report acknowledges that it does not provide a technical analysis of the structural behavior of the Twin Towers during the collapse itself.

The report stops its analyses for both towers at the point of collapse initiation where the claim is made that “the tower was poised to collapse.” It simply suggests that “global collapse naturally followed” and then depends upon a paper written by Northwestern University civil engineering professor Zdenek Bazant for an explanation of how the collapse could continue (a complex study that was, interestingly, submitted just two days after 9/11/01).

However, Dr. Bazant starts his analysis *after* the upper section of the building has already fallen one story. Since NIST actually stopped their analysis at an alleged south exterior wall failure in WTC 1 and east exterior wall failure in WTC 2, prior to any “fall” at all, this leaves completely unexplained how these partial failures could have propagated *across* the building, to cause the collapses of the full upper sections of the buildings. In fact, what is seen in the videos is quite different from anything modeled, or claimed, by NIST. The videos show a “disintegration” of the initiating zone at the onset of each collapse. The upper 12-story section of the North Tower destroys itself in the first four seconds of the building’s collapse — almost in a telescoping internal implosion like a controlled explosive demolition — such that it is not even available as a mass, after the initial four seconds of the “collapse,” to act as the “pile driver” propelling the rest of the building down to the ground, as is alleged by NIST and Bazant.

References:

- NCSTAR 1-6D, p. 314
- NCSTAR 1-6, pp. lxvii, lxix, 300, 304, 308, 309, 323
- Slow-motion video from the northwest of WTC 1 collapse initiation
<http://www.youtube.com/watch?v=y9-owhllM9k>

21. WTC 1 TILT OCCURRED AFTER SYMMETRICAL COLLAPSE FOR AT LEAST TWO STORIES

Technical Statement: The NIST report claims that WTC 1 tilted 8° to the south and then began its descent. There is no analysis provided to back this assertion. Analyses of video by individual researchers have shown only a very small tilt of 1° or less prior to the descent of the upper 12 stories, and only after at least a two-story vertical drop was there a larger tilt of 8° to the south. Most or all of the columns on the 98th floor, where the collapse initiated, must have failed simultaneously in order to allow the initial symmetrical descent at two-thirds of free-fall acceleration, destroying the upper 12-story block in the first four seconds. The only mechanism available for such destruction or failure of columns is timed-sequenced explosives — typical in controlled implosions. This sudden collapse, which could only have been the result of instantaneous column destruction, also refutes the NIST assertion that a south wall failure precipitated a gradual south-to-north failure.

References:

- NCSTAR 1-6D, p. 314
- NCSTAR 1-6, pp. lxvii, 304
- Slow-motion video from the northwest of WTC 1 collapse initiation
<http://www.youtube.com/watch?v=y9-owhllM9k>

- Pertinent short clip from the documentary film, *9/11: Explosive Evidence—Experts Speak Out* https://www.youtube.com/watch?v=nC0eQ3_FUs0&list=PLUshF3H0xxH2FFyiA3OZnLA7WfjNjXmcO&index=11

22. NO JOLT – CONTINUOUS ACCELERATION OF COLLAPSE WAS IGNORED

Technical Statement: In his papers, Dr. Zdenek Bazant claims that an “amplified dynamic load” occurred at the impact between the Twin Towers' falling upper section and the structure below, and that this is what caused the reserve strength of the structure below to be overcome by the otherwise insufficient static load above. However, by definition, the generation of an amplified load requires a deceleration upon impact, and a velocity loss would be a necessary result of such deceleration.

Since Dr. Bazant’s first paper was written and published, the rate of fall of the upper section of WTC 1 has actually been measured by a number of individual researchers. Dr. Bazant initially neglected this simple analysis in his paper submitted to the *Journal of Engineering Mechanics* on Sept. 13, 2001, only two days after the event. These measurements all show that the upper section never decelerates and never experiences velocity loss. In fact, the upper section of WTC 1 continuously accelerates at approximately 64% of the rate of gravity. By contrast, building demolitions that use the Verinage technique, where gravity alone is used to demolish the structure below after a fall of a couple of stories instigated by mechanical means such as hydraulic rams breaking the columns, a clear deceleration and velocity loss is observed when the upper section impacts the lower.

All of Dr. Bazant’s papers use free-fall acceleration through the first story and the maximum design load mass of the falling upper section. Neither of these are representative of the actual situation, so this causes an embellishment of the upper section’s kinetic energy in his papers. He also significantly underestimates the energy dissipation due to column deformation during impact. Dr. Bazant has been made aware of these problems with his hypothesis, and in January 2011 he had a paper published by the *Journal of Engineering Mechanics* where, with a graduate student as his co-author, he tried to claim the deceleration would not be observable. This paper has been shown to use fraudulent values for both inertial and column deformation energy losses. However, NIST continues to use his work.

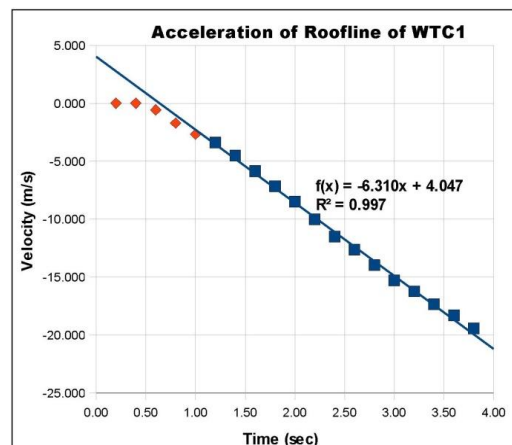
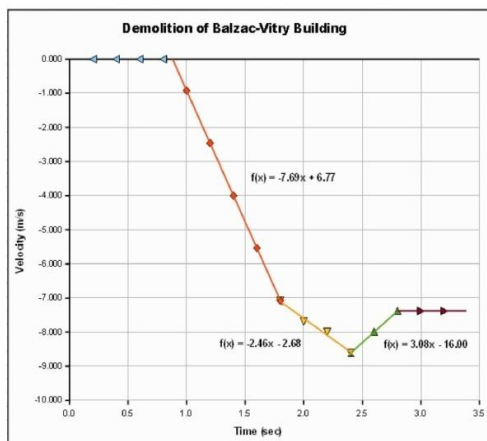
Recent research using test results vs. the three-hinge method for estimating energy dissipation caused by plastic hinge formation in axially-loaded buckling columns has shown the three-hinge method to significantly underestimate it — and this is without using fraudulently low column plastic moment (M_p) values, as Le and Bazant did in their paper. This research provides even more support for the contention that the lack of deceleration in the descent of WTC 1 is a severe impediment for a natural-collapse scenario.

The velocity graphs of the upper sections of both a building demolished by the Verinage technique and that of WTC 1 are shown below. Note the abrupt reduction of velocity in the *natural* force collapse using the Verinage demolition method on the Balzac-Vitry building in France vs. the *continuous* acceleration of WTC 1. The columns in WTC 1 must have been

“removed” prior to impact. This can only be done by explosives — for which there is abundant evidence, as outlined in the documentary film, *9/11: Explosive Evidence—Experts Speak Out*.

References:

- NCSTAR 1-6, p. 323
- Z. Bazant and Y. Zhou, “Why Did the World Trade Center Collapse?—Simple Analysis,” *Journal of Engineering Mechanics*, pp. 1-7, January 2002
<http://www.civil.northwestern.edu/people/bazant/PDFs/Papers/405.pdf>
- G. MacQueen and T. Szaboti, “The Missing Jolt: A Simple Refutation of the NIST/Bazant Collapse Hypothesis,” *Journal of 9/11 Studies*, Vol. 24, pp. 1-27, January 2009
<http://www.journalof911studies.com/volume/2008/TheMissingJolt7.pdf>
- D. Chandler, “Destruction of the World Trade Center North Tower and Fundamental Physics,” *Journal of 9/11 Studies*, Vol. 28, pp. 1-17, February 2010
<http://www.journalof911studies.com/volume/2010/ChandlerDownwardAccelerationOfWTC1.pdf>
- “9/11 – North Tower Acceleration,” David Chandler
<http://www.youtube.com/watch?v=28ds5sFvTG8>
- Video: “What a Gravity-Driven Demolition Looks Like”
<https://www.youtube.com/watch?v=NiHeCjZlkr8>
- Jia-Liang Le and Z. Bazant, “Why the Observed Motion History of the World Trade Center Towers is Smooth,” *Journal of Engineering Mechanics*, pp. 82-84, January 2011
<http://www.civil.northwestern.edu/people/bazant/PDFs/Papers/405.pdf>
- T. Szaboti and R. Johns, “ASCE Journals refuse to correct fraudulent paper they published on WTC collapses,” Letter in *Journal of 9/11 Studies*, September 2014
<http://www.journalof911studies.com/resources/2014SepLetterSzabotiJohns.pdf>
- R.M. Korol and K.S. Sivakumaran, “Reassessing the Plastic Hinge Model for Energy Dissipation of Axially Loaded Columns,” *Journal of Structures*, Vol. 2014, Article ID 795257, 7 pages, February 2014
<http://www.hindawi.com/journals/jstruc/2014/795257>
- Pertinent short clips from the documentary film, *9/11: Explosive Evidence—Experts Speak Out*
 - https://www.youtube.com/watch?v=nC0eQ3_FUs0
 - <https://www.youtube.com/watch?v=CyCuAa0eFKg>
- Two velocity charts below



23. NO PILE DRIVER IS OBSERVED IN VIDEOS

Technical Statement: NIST claims that the “upper section” of each of the Twin Towers crushed the lower section. However, video analysis clearly reveals that the upper section’s structure (above the point of jet plane impacts) disintegrated significantly prior to any *crushing* of the lower block. After this point some other set of forces must be destroying the buildings. A closer look at the videos reveals those sources to be a series of explosions racing down the corners of the building, under the zone of destruction, at a rate equal to about two-thirds of free-fall acceleration.

References:

- NCSTAR 1-6D, p. 314
- Slow-motion video of WTC 1 collapse initiation
<http://www.youtube.com/watch?v=y9-owhllM9k>
- Video: “Acceleration + Serendipity” by David Chandler
<http://www.youtube.com/watch?v=i9M1iufUAVA>
- Pertinent short clips from the documentary film, *9/11: Explosive Evidence—Experts Speak Out*
 - https://www.youtube.com/watch?v=nC0eQ3_FUs0
 - <https://www.youtube.com/watch?v=fTgIkuffBOE>

24. COLUMN LOADS WERE CALCULATED FOR WORST CASE, NOT ACTUAL IN-SERVICE LOADS

Technical Statement: NIST calculates the DCR (Demand-to-Capacity Ratio, which is the reciprocal of factor of safety) of the tower columns for a worst-case design load, not the actual in-service load. As a result, the reader is left with the impression that the tower columns were less robust relative to the load they were carrying than they were in reality. A failure analysis normally uses the actual in-service load and provides the actual DCR, or factor of safety, during failure.

References:

- NCSTAR 1-2A
- NCSTAR 1-6D
- Released core column cross sectional and material strength data
http://femr2.ucoz.com/photo/core_data/10
- Mass analysis of WTC 1
<http://www.journalof911studies.com/volume/200703/GUrich/MassAndPeWtc.pdf>
- Pertinent short clip from the documentary film, *9/11: Explosive Evidence—Experts Speak Out*
https://www.youtube.com/watch?v=nC0eQ3_FUs0

25. MOLTEN METAL OBSERVED POURING OUT OF THE CORNER OF WTC 2 REMAINS UNRESOLVED

Technical Statement: NIST has not adequately explained the yellow-orange fluorescing molten metal observed pouring out of the northeast corner of the 78th floor of WTC 2 shortly before its collapse. In a FAQ article, they claimed that it could have been aluminum.

However, when it was explained to them that aluminum fluoresces as a silvery color, they postulated that the aluminum could have been mixed with organics to give it the yellow-orange glow. When physics professor Dr. Steven Jones performed an experiment by adding organics to molten aluminum, they did not mix. The organics consistently floated to the top, no matter how thoroughly they were mixed into the molten aluminum. The significance here is that the maximum temperatures which can be achieved by diffuse flame hydrocarbon (jet fuel or office fires) is in the range of 600° to a maximum of 1,800° F, well below the 2,750° F minimum melting temperature of steel or iron (which *does* fluoresce yellow-orange in its molten state). Further chemical tests by Dr. Jones on samples of solidified molten metal slag from the WTC site found that it was indeed molten iron — and that the molten iron had the chemical evidence of thermite in it. Thermite is an incendiary designed to cut through steel like a hot knife through butter — particularly when used in a patented cutter charge device designed to eject liquid molten iron in just milliseconds, as described in the text of the patented thermite cutter charge device shown below.

(12) **United States Patent**
Möhler

(11) Patent No.: **US 6,183,569 B1**
(17) Date of Patent: **Feb. 6, 2001**

(14) **CUTTING TORCH AND ASSOCIATED METHODS**

(75) Inventor: **Jonathan Mohler, West Beach, FL (US)**

(73) Assignee: **Spectre Enterprises, Inc., West Palm Beach, FL (US)**

(*) Notice: Under 35 U.S.C. 1361(a), the term of this patent shall be extended for 0 days.

(21) Appl. No. **09/208,379**

(22) Filed: **Mar. 15, 1999**

(31) Int. Cl. **B23K 7/00**

(52) U.S. Cl. **148/194, 206/48**

(50) Field of Search **256/98, 102, 302, 148/194**

(51) **References Cited**
U.S. PATENT DOCUMENTS

2,393,211	4/194	Devin et al.	
2,507,243	2/1952	Stratton	
3,713,638	* 1/1973	Debes et al.	206/48
4,327,642	3/1982	Gross-Besse et al.	
4,374,800	* 12/1981	Regalbuto et al.	206/48
4,403,181	9/1987	Dalby et al.	
4,813,384	3/1990	Kaput et al.	

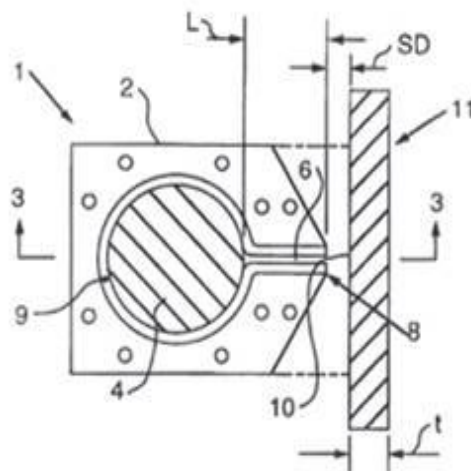
* cited by examiner

Primary Examiner—Scott Kucik
(74) Attorney, Agent, or Firm—Arnold II, Silverman, William F. Lang, IV, Eckert Seamans Chern & Miller, LLC.

(57) **ABSTRACT**

An apparatus is disclosed for cutting target material which includes a housing having an inner cavity and an elongated nozzle extending from the inner cavity to communicate with the exterior of the housing. The apparatus is provided with a charge for generating a cutting flame and an activating device coupled to the charge. A method for cutting target material is also provided in which the cutting apparatus has an elongated nozzle positioned generally adjacent to a surface of a target material to be cut. The cutting apparatus may be joined with one or more housings to provide a gauged together or joined cutting apparatus. The effect of this gauged cutting apparatus is to provide an extended linear cutting action on the surface of the target material. In addition, in an opposed cutting apparatus, two housings are positioned with their nozzle channels in opposition to permit cutting target material from two directions.

29 Claims, 7 Drawing Sheets



There has been no further response from NIST on this issue.

References:

- Videos of molten metal pouring from the northeast corner of WTC 2 moments before collapse
https://www.youtube.com/watch?v=aMBTp27k_wE
<https://www.youtube.com/watch?v=LivXaOguXRA>
- Question #21 in NIST WTC FAQ
http://www.nist.gov/el/disasterstudies/wtc/faqs_wtctowers.cfm
- Pertinent short clip from the documentary film, *9/11: Explosive Evidence—Experts Speak Out*
https://www.youtube.com/watch?v=9oVs_94VHk8